

Moskey

User Manual

A newer version of this user manual may have become available since this one was printed. For the most up to date version, and for data on all Volamp products, please visit our web site at:

www.volamp.com

1. Introduction

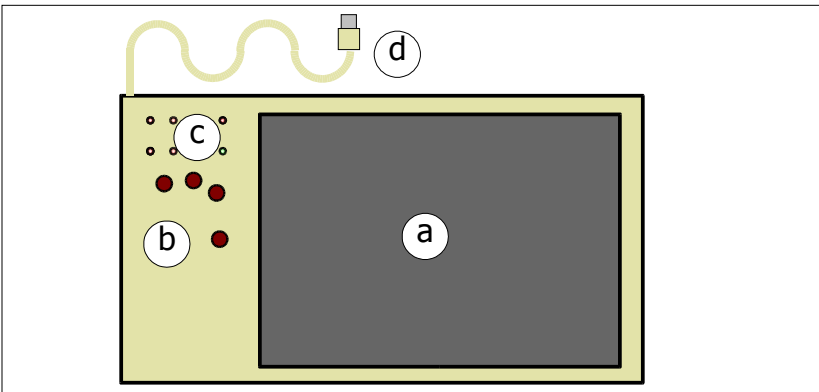
Congratulations on your purchase! The Moskey has been designed to replace a traditional keyboard and mouse in places where they would either be unhygienic or where the environment may damage them. This guide tells you how to install and use your Moskey and how to set it up to suit you best.

2. Getting started

To install your Moskey, simply plug it in to any available USB port on your computer. For most operating systems, this is all you will need to do. If you are using Windows 98 you may be asked to insert your Windows 98 CD to complete the installation.

3. Using your Moskey

Your Moskey consists of (a) the touch-panel area, (b) 4 touch pads,(c) some status lights and (d) a USB lead.



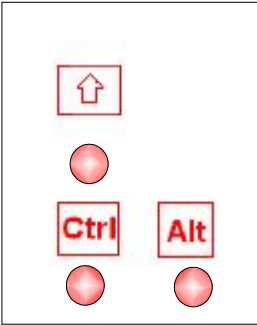
The main area (a) of the Moskey is used as a keyboard or in place of a mouse. The next sections explain how to use the Moskey in each of these modes and how to switch between them.

3.1 Selecting your mode of use:

Your Moskey indicates which mode it is in by illuminating either the green mouse mode indicator, or the red keyboard mode indicator.

Keyboard mode		Mouse mode	
---------------	--	------------	--

To switch from one mode to the other, touch the bottom of the 4 touch pads. The Moskey will beep to indicate that it is changing mode.



3.2 Use as a keyboard:

For the typist, the Moskey aims to be as much like a conventional keyboard as possible. The Shift, Control and Alt keys work a little differently.

In order to allow use with a stylus, these keys remain held after they are pressed until the next key has been released. So to get a capital 's', press Shift, then let go of shift and press 's'. There are lights on the Moskey which show when any of these three keys are being held for you:

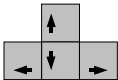
3.3 Use as a mouse:

The Moskey acts as an absolute mouse so if you touch the middle of the panel, the mouse moves to the middle of the screen. If you touch the top of the panel, the mouse moves to the top of the screen, and so on. The mouse buttons are to the left of the main panel. On your computer it may be that the area in which it is possible to move the mouse using the Moskey is larger or smaller than the whole screen on your computer. For details of how to correct this, see the next section.

4. Changing settings

The Moskey can be set up to suit you better. As well as changing the mouse scaling, it is possible to control the speaker and change the handedness of the mouse buttons. There are even some shortcuts which you can enable to click on items or change to keyboard mode from mouse mode to keyboard more quickly. To change any of these settings, you will need to enter setup mode:

- ✓ Hold down all three mouse buttons. After about 15 seconds you will hear 3 beeps. The Moskey is now in setup mode.



- ✓ To correct the mouse scaling, use the arrow keys to move your mouse pointer as close as you can to the bottom right hand corner of the screen.

- ✓ If you cannot see the mouse arrow, it is possible to reset the mouse scaling to the default position using the 'Z' key.
- ✓ Other keys which change settings of your Moskey are shown in the table below:

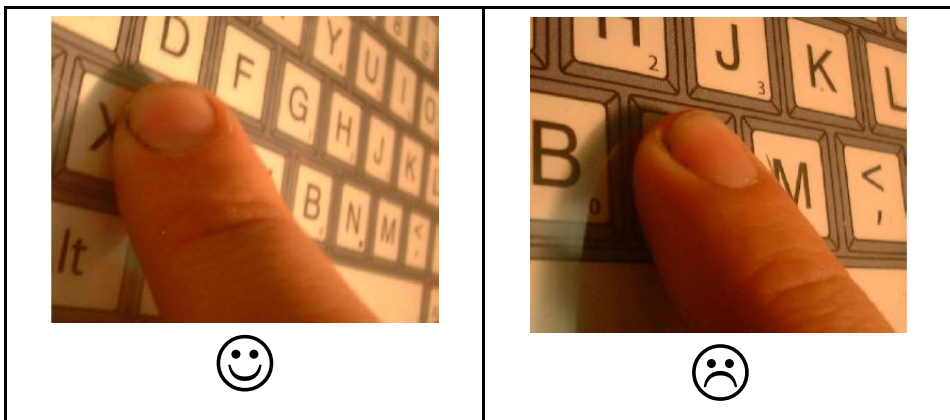
R	Right handed mode	F4	Sound on
L	Left handed mode	F5	Sound off, lights flash instead
F3	Click mouse when panel is touched briefly (tapped)	F6	Enable 'Fast' switching to Keyboard mode when the panel is touched on the Left and Right edges simultaneously,
F2	Click mouse when RH edge of panel is tapped		
F1	Ignore panel tapping	F7	Disable Fast switching
Del	Map middle mouse button to 'Del' key	F8	Undo middle mouse button mapping
Ctrl	Map middle mouse button to 'Ctrl' key		
O	Load old settings	Z	Factory Reset

- ✓ To save your settings and leave setup mode, press **s**

5. Getting the most out of mouse mode

Here are some tips on getting good mouse mode performance on your system:

- Windows XP: Go to control panel -> mouse, then click on the 'Pointer Options' tab and make sure the 'enhance pointer precision' box is **not** ticked
- Windows 98/ME: Go to control panel -> mouse, then click on the 'Pointer Options' tab and turn the mouse speed down to the lowest possible value
- On other operating systems it is often a good idea to reduce the mouse speed to a slow setting before calibrating the Moskey to match the screen size
- The Moskey can be used with a plastic stylus, or with a finger.
- If you are using your finger, try using the edge of your finger, rather than the pad:



6. Further Information

For further information please see our website at <http://www.volamp.com>

If you have any questions or queries that aren't solved by this manual, please email:

moskey.support@volamp.com

It would help us if you could quote the serial number of your Moskey. The serial number is located on the underside of the unit.

We can also be contacted by post at:

Volamp Ltd
Unit 3, Riverside Business Park
Dogflud Way
Farnham
Surrey
GU9 7SS