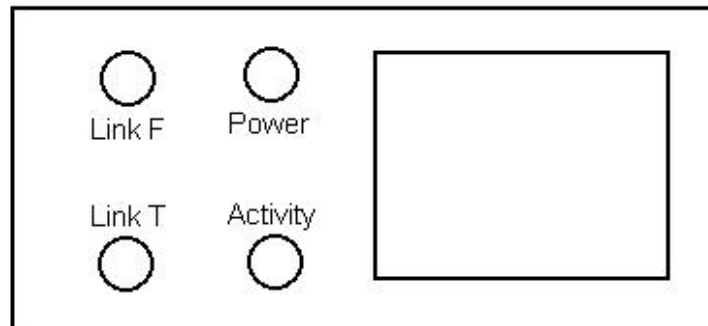
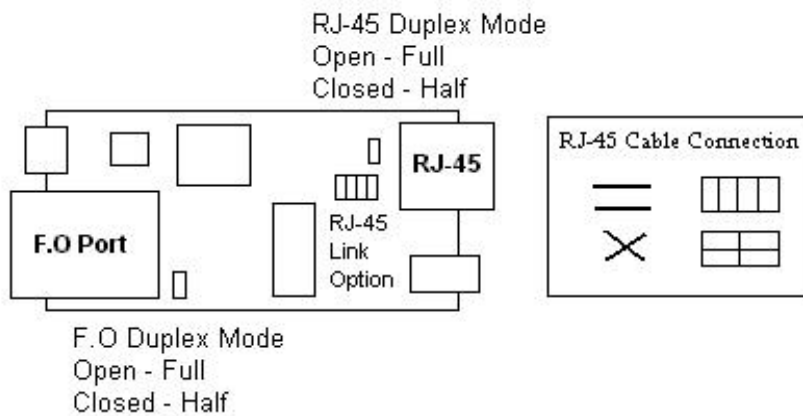


100FU-M Converter

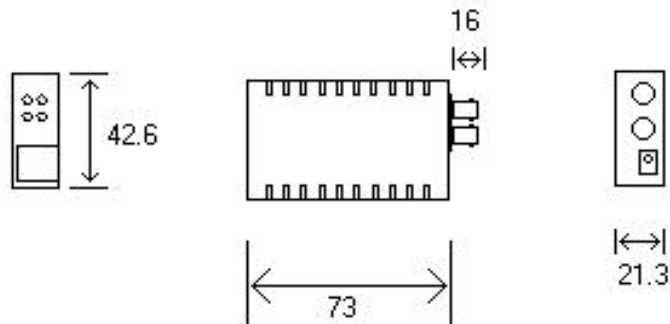
Layout showing the jumper link options for the 100FU-M, 100FU-M/BKT and single mode versions.



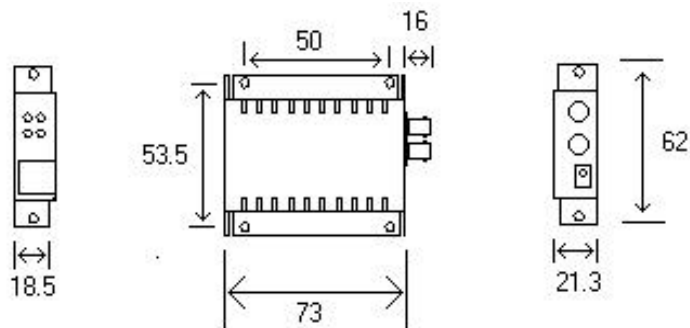
Display Panel

Dimensions (mm)

Standard



Flange



Order Code.

100 FU-M
100 FU-M-SM

Description.

100 Meg Tx - Fx Converter , SC or ST Connectors
100 Meg Tx - Fx Converter SINGLE MODE , SC or ST Connectors

Add F on the end of the order code if you require a Flange case.

Add SC or ST on the end of the order code for the Connector type you require.

VolAmp Ltd

Unit 3, Riverside Business Park, Dogflud Way, Farnham, Surrey, GU9 7SS

Tel 01252 724055 Fax 01252 733425 E-mail: info@volamp.com

www.volamp.com