

Volamp

CAMLINX

User Manual



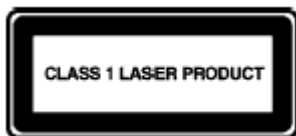
Disclaimer

All information contained in this manual is believed to be accurate and reliable. However, Volamp Ltd assumes no responsibility for its use. Since conditions of product use are outside our control, we make no warranties express or implied in relation thereto. We therefore cannot accept any liability in connection with any use of this information.

This product is not intended for use in life support appliances, devices or systems where a malfunction of the product can reasonably be expected to result in personal injury. Use of any Volamp product in such applications is expressly prohibited.

Whilst every effort has been made to ensure that this document is correct, errors can occur. If you find any errors or omissions please let us know, so that we can put them right

Laser Safety



Invisible laser radiation. Class 1 lasers are used in this product for fibre optic communications. The wavelength used is in the infra-red band so the light emitted cannot be seen. Although the levels are low and are classified as safe under all conditions of normal use, we recommend that users avoid looking directly into the beam.

Trademarks

Camlinx™™ is a trade mark of Volamp Limited.

Opticalcon ® is a registered mark of Neutrik AG

Volamp Camlinx™ User Manual

Contents

Disclaimer	2
Volamp Camlinx User Manual.....	3
1 Overview.....	4
1.1 Pack Contents.....	4
1.2 System Overview.....	5
1.3 Base Station Connections.....	6
1.4 Head Connections.....	7
1.5 LCD Menus.....	8
1.6 On Screen Display.....	10
2 Signals.....	12
2.1 Video.....	12
2.2 Trisync/Black and Burst.....	13
2.3 Talk back.....	14
2.4 Serial Data.....	15
2.4.1 Overview.....	15
2.4.2 Tx and Rx.....	15
2.4.3 Base Station.....	15
2.4.4 Camera Head.....	16
2.5 Tally.....	17
2.5.1 Overview.....	17
2.5.2 Base Station.....	18
2.5.3 Head Wiring.....	18
2.5.4 Built In Tally Light.....	18
2.5.5 Tally Test.....	18
3 Power system.....	19
3.1 Introduction.....	19
3.2 Using 48V power.....	19
3.3 Using local power.....	20
4 Fault finding.....	21
4.1 Fibre levels.....	21
4.2 Power system.....	21
4.3 Can I use the Camlinx with the existing Fibre at my site?.....	21
4.4 Linking My Camera / Remote / Pan and Tilt / Intercom.....	21

1 Overview

The Camlinx™ is a system for connecting HD and SD SDI Cameras to a production area using fibre optic cables. This manual describes how to use the Camlinx™.

1.1 Pack Contents

Every Camlinx™ system includes the parts listed below:

- Camlinx™ Base Station, consisting of
 - Rack mount base station unit with mounting ears
 - Power cable suitable for your country
- Camlinx™ head
 - Camlinx™ head unit
 - Rugged carrying case

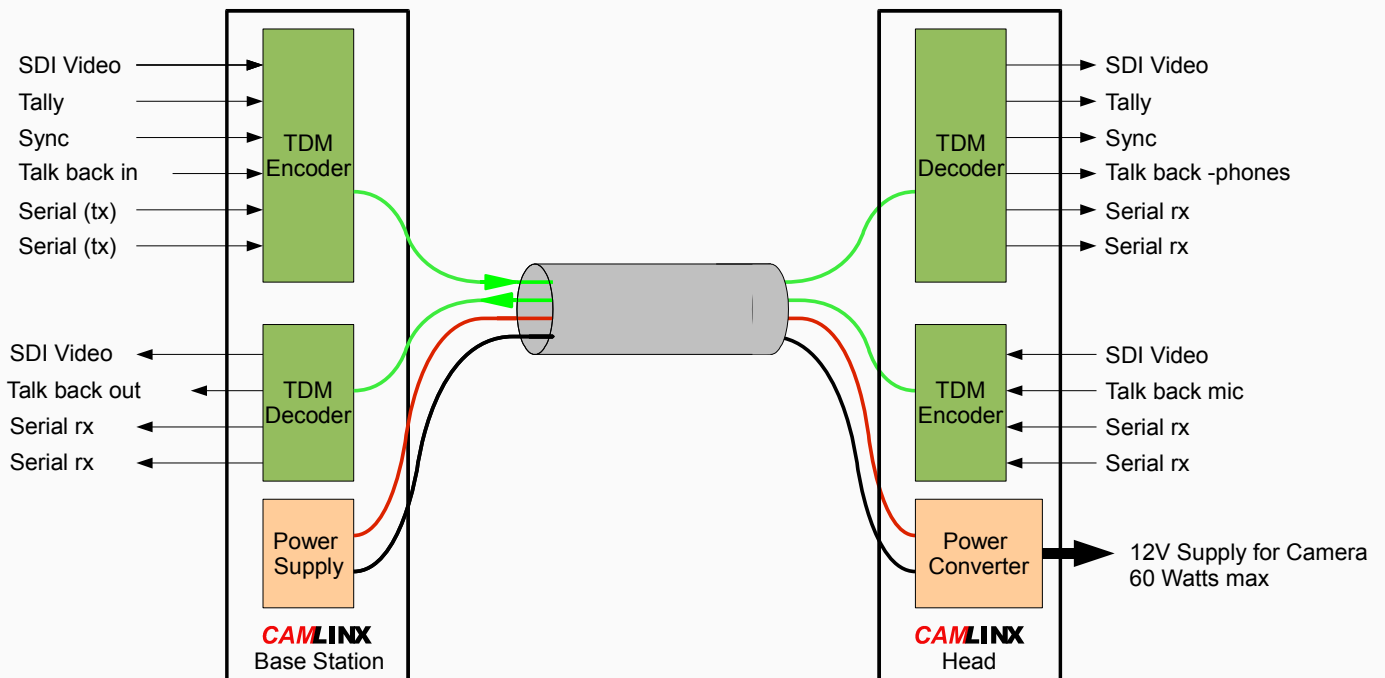
Your dealer may have supplied:

- Fibre optic cables
- Interfacing cables to connect your Camlinx™ system to your other equipment
- Other accessories

These are not detailed in this manual, so please contact your dealer if you require more information.

1.2 System Overview

Camlinx System



A Camlinx™ system is composed of a base station and a head. A single cable connects the two ends. It contains two fibres and, optionally, two copper cores. Each of the fibres carries information. One from the base station to the head, the other from the head to the base station.

The copper cores carry power from the base station for the head. If they are not present then a local power supply must be used at the head (see section 3).

TDM technology in the Camlinx™ is used to mix all of the different inputs into a single fibre optic signal to be carried down the link. The signal is separated at the far end of the link and fed to the various outputs.

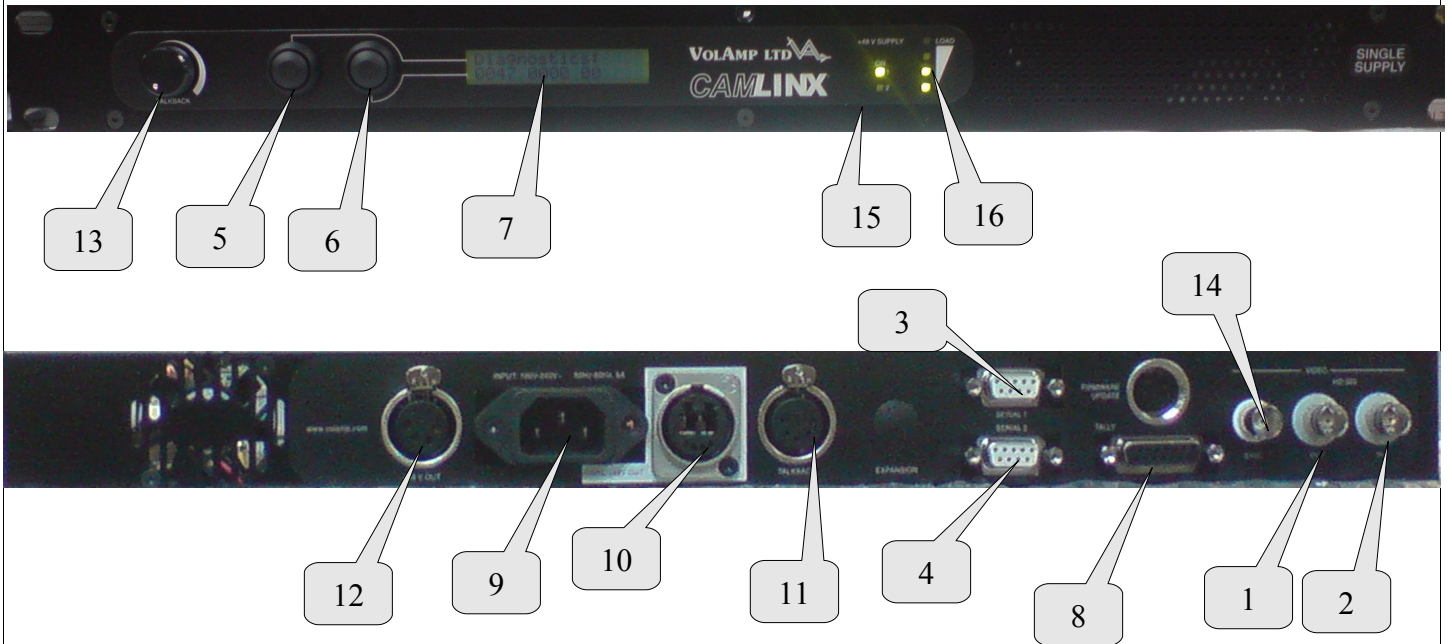
The link carries the following signals in both directions:

- SDI Video (HD or SD)
- 2 Channels of serial data
- Talk back

In addition the following signals are carried from the base to the head:

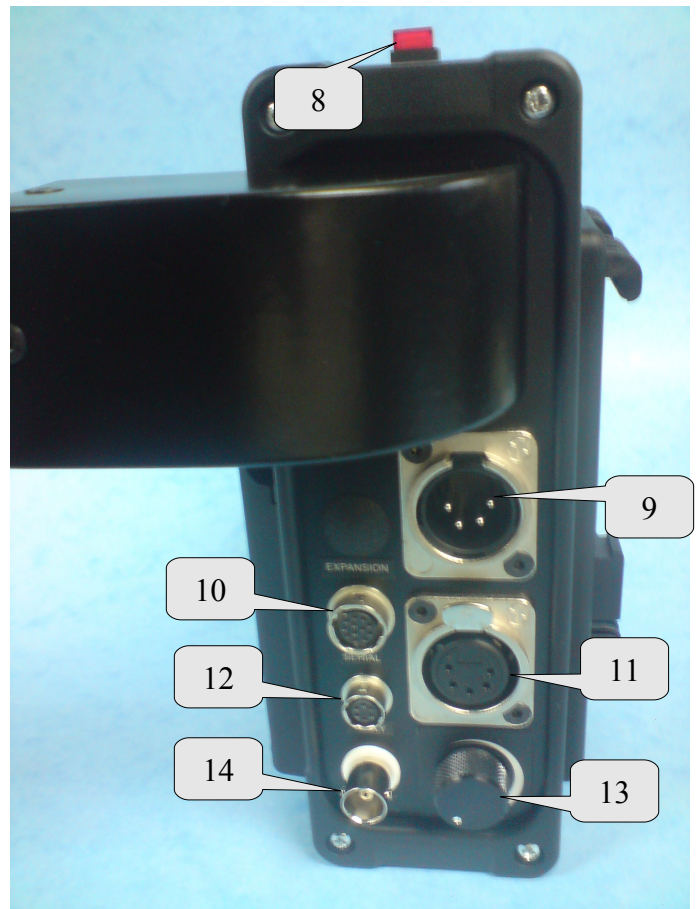
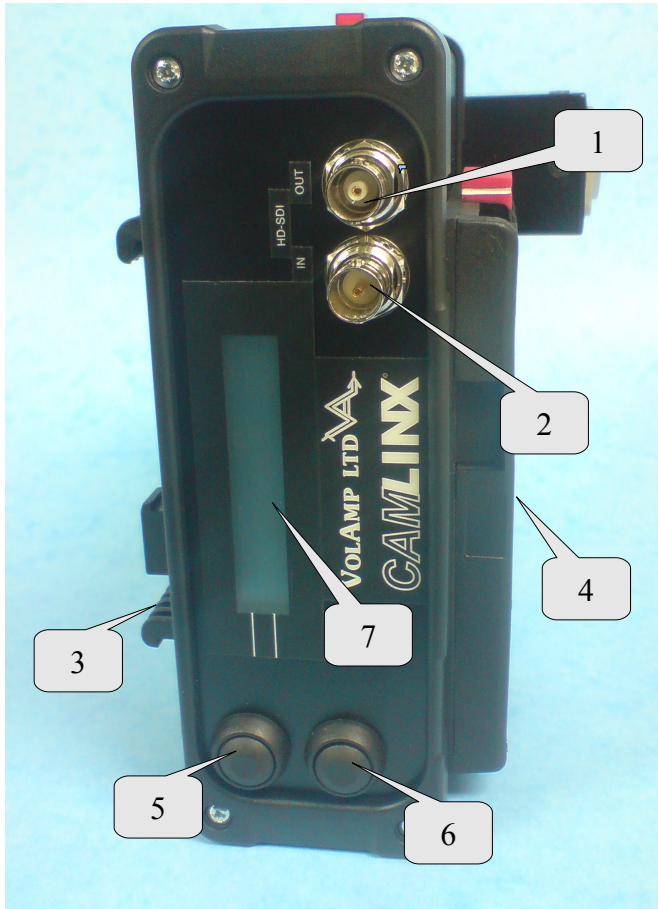
- Tally (on-air light)
- Tri-level sync / Black and burst

1.3 Base Station Connections



1	SDI Video output
2	SDI Video input
3	Serial 1 connector
4	Serial 2 connector
5	Button A (change page)
6	Button B (adjust setting)
7	LCD display
8	Tally input
9	110/230V AC input
10	Opticalcon® combined connector for power and fibre connections to the head
11	Talk back socket
12	48 volts output
13	Volume Knob
14	Sync input
15	48V power on indicators
16	Power meter

1.4 Head Connections



1	SDI Video output
2	SDI Video input
3	PAG lock plate for connection to camera
4	PAG lock plate for connection to battery
5	Button A (change page)
6	Button B (adjust setting)
7	LCD display
8	Built in tally LED
9	External power input socket
10	Serial data socket
11	Headphones socket
12	Tally socket
13	Volume Knob
14	Sync output

1.5 LCD Menus

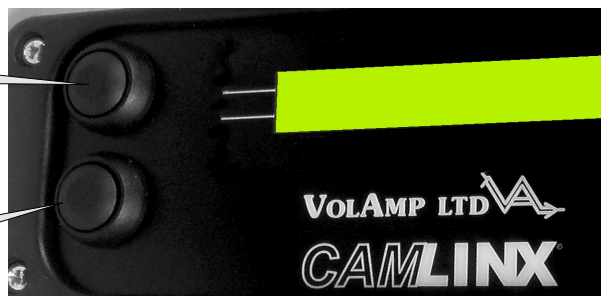
The Camlinx™ menu system is the same on the base station as the head. It is composed of an LCD screen and two buttons. The purpose of the system is to enable the user change settings and to provide useful information about the state the Camlinx™ system. An on-screen display can be enabled on the video output from the system. The purpose of the OSD is to provide useful information about the state of the Camlinx™ system.

LCD Menu System



Button A

Button B



Button A

Button B

The LCD display system is divided into pages. Each page tells you about a particular setting or parameter. The top line of the LCD display (line 1) tells you which page you are on. The second line (line 2) shows a value for that setting or parameter. For example:

```
VID IN FORMAT
HD 1080 50I
```

In this case the top line tells you that you are looking at the input video format, and the bottom line tells you what the format is (HD 1080 50fields/sec interlaced).

Button A is associated with the top line of the display, so pressing it cycles through the display pages.

Button B is associated with the bottom line of the display, so pressing it changes the value of the parameter when a setting is shown. If the page shows something which cannot be set, button B has no effect.

The menu system can be set to consist of the 6 most commonly used pages, or an extended set of 15 pages. The 'Extended menus' option switches between the two.

Each of the menu pages is described below:

Page	Details
FIBRE RX	This gives a bar graph of the signal strength on the fibre input ¹ . See section 4.1 for more about fibre levels.

¹Each block corresponds to approximately 26µW

REMOTE FIBRE RX	<p>This gives bar graph of the fibre level being received at the remote end, i.e. On the base station it shows the level being received at the head, and on the head it shows the level being received at the base station.</p> <p>A good link is needed from the remote end for this function to work, for example, for this function to work on the base station, a good signal from the head is needed. If a signal from the remote end cannot be decoded, and thus the fibre level at the remote end cannot be read, 'Unknown' will be displayed. See section 4.1 for more about fibre levels.</p>
VID IN FORMAT	The format of the SDI video input is shown. This is auto detected, and cannot be set.
VID OUT FORMAT	The format of the SDI video output is shown. This is auto detected, and cannot be set.
STATUS SCREEN	<p>This controls the OSD (see section 1.6). The OSD can be set to any of three modes:</p> <ul style="list-style-type: none"> - Always on - Tally Safe - Off <p>In the tally safe mode the OSD is on unless the tally is set. This is to prevent the OSD from accidentally being shown in the live mix.</p>
EXTENDED MENUS	<p>Yes – to make all menu pages available</p> <p>No – for a limited set of menus</p>
TALLY TEST/CALL	Holding button B in this mode will cause the tally light to flash and the base station to click. Both ends will respond to this function.
SERIAL 1 MODE	<p>These pages switch the serial ports between RS232 and RS422 mode. It should be noted that the setting affects the local end only. For example, if this setting is used on the base station to set serial port 1 mode to RS422, it will have no effect on the setting for serial port 1 at the camera head. For more information on the serial link see section 2.4</p>
SERIAL 2 MODE	
SERIAL STATE	This shows if any transitions have occurred on the serial links in the last 2 seconds.
TALKBACK IN LVL	This shows a bar graph corresponding to the peak amplitude of the audio input from the talk back socket
TALKBACK OUT LVL	This shows a bar graph corresponding to the peak amplitude of the audio output from the talk back socket, i.e. it shows the level of audio being output. This is the audio which comes into the system at the audio input at the remote end.
OSD SIZE	Two sizes are available for the OSD, big or small
DIAGNOSTICS	This shows technical information which can be useful to Volamp for diagnosing fibre optic problems or misbehaviour from equipment connected to the Camlinx™.

1.6 On Screen Display

The on screen display gives information about the current state of the Camlinx™ system. Settings cannot be changed through the OSD.



The **system status hint** gives a summary of the current system status. It will tell you if there is no video plugged in at the remote end, or if there are fibre optic problems.

Local end info tells you about the end nearest to you:

Fibre Rx shows a bar graph of the fibre receive level. Due to space limitations, one block is shown here for every 2 on the LCD.

vid In tells you what the format of the video connected to the video in socket is. **Talk** tells you what the input talk level is.

Ser 1 and **Ser 2** tell you whether transitions have been detected on the serial interfaces. For more information see section 2.4

Temp tells you the temperature of the laser unit in the fibre optic transmitter. Very high ambient temperatures can affect the laser and thus fibre optic performance.

Tally and **sync** are special cases. The signals only go from the base to the head. They appear only in the local end column, with slightly different meanings on the base and the head; as follows :

- On the base: **Tally**: ON means that the tally has been triggered through the tally input port

- On the head: Tally: ON means that the tally has been triggered at the base station, and that the tally output at the head is switched on.
- On the base: Sync: 'Trisync / Black & Burst' means that a sync input has been detected and is being transmitted to the head.
- On the head: Sync: 'Trisync / Black & Burst' means that a sync signal is being received from the base, and is being sent out to the sync out connector.

Remote end info tells you about the other end. i.e. at a base station it tells you about the camera head, and vice versa. If there is no remote end connected, or there is a problem with the fibre carrying information from the remote end, then this information is not available, and 'Unknown' will be shown.

2 Signals

2.1 Video

The Camlinx™ carries one SDI video stream in each direction. It does not support analogue video of any type – composite, component, etc. It does not support multiple channels of video in either direction.

A video signal connected to the base station's video in socket will appear at the head's video out socket, and a video signal connected to the head's video in socket will appear at the base station's video out socket.

The two video streams – one each way – are completely independent, and do not need to be of the same standard or locked to a related timing source.

The total delay of the system is less than one video line. No data rate reduction techniques are used, this means that the video signal is not altered in any way by passing it through the Camlinx™ system². Ancillary data in the video signal will be carried through unchanged by the Camlinx™.

A blue SD-SDI screen (PAL 50I) is given at the video output when no video is available. No video is available when:

- No video is connected to the remote end's video input
- There is no fibre connection

Video Standard	Supported
SD-SDI 270MBit PAL	Yes
SD-SDI 270MBit NTSC	Yes
HD-SDI 1485MBit 1080 50i, 25p, 60i, 30p, 24p	Yes
HD-SDI 1483MBit 1080 59.9i, 29.9p, 23.9p	Yes
HD-SDI 1485MBit 720 60p	Yes
Composite	No
Component	No
3G-SDI	No

When the video is first connected, or if the video standard or timing source changes, the Camlinx™ may take a few seconds to correctly sync to it. During this time the video signal may be disturbed.

² If OSD is on, then the video picture will be altered

2.2 Trisync/Black and Burst

This link is to allow gen-locking of cameras. A sync signal is connected to the sync input on the base station it will come out of the sync output at the camera head. The following types of signal can be carried:

- Tri-level (HD) Sync
- Black and burst³

The OSD shows whether a signal has been detected at the sync input. The blue screen given out when no video is available will sync to a black and burst input on this socket.

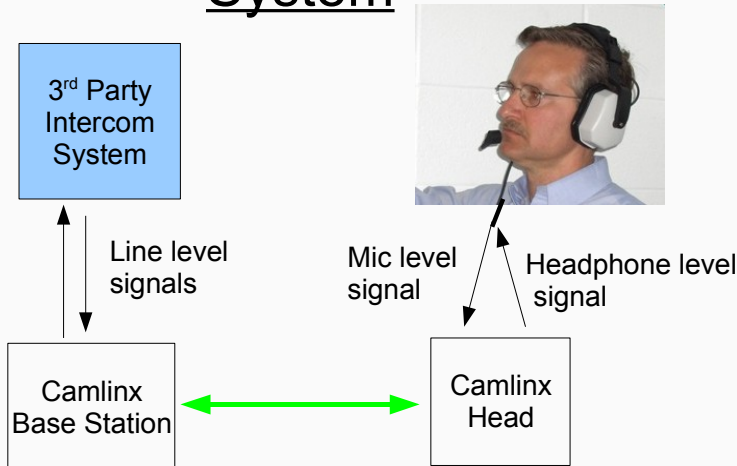
Note that this link will not carry an analogue video picture.

³ The colour burst will be removed from the signal. The colour burst is not used on modern TV Cameras.

2.3 Talk back

The talk back system allows communication between a 3rd party intercom system at the base station end (Clearcomm, RTS, etc.) and the camera man's headset at the head end.

Camlinx Talk Back System



5 pin XLR connectors are used at both ends.

Connection to an intercom system is via a 4-wire interface, with a signal level of 1V peak-to-peak / 0dBu.

Connection of a headset at the head end is via a 5 pin XLR connector.

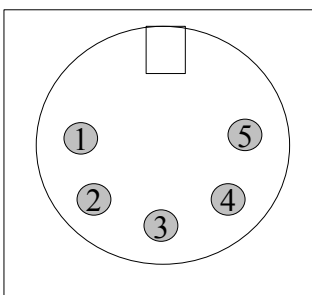
At the head end, a knob is provided to adjust the volume of the headphones.

At the base station a knob is provided which adjusts the level of the signal from the base station to the intercom unit. This effectively sets the gain of the camera operator's microphone.

Head end pin connections

Pin	Head End Function	Base Station Function
1	Microphone +	Audio in +
2	Microphone -	Audio in -
3	Ground/screen	Ground/screen
4	Headphones R	Audio out +
5	Headphones L	Audio out -

5 Pin XLR socket pin numbers:



2.4 Serial Data

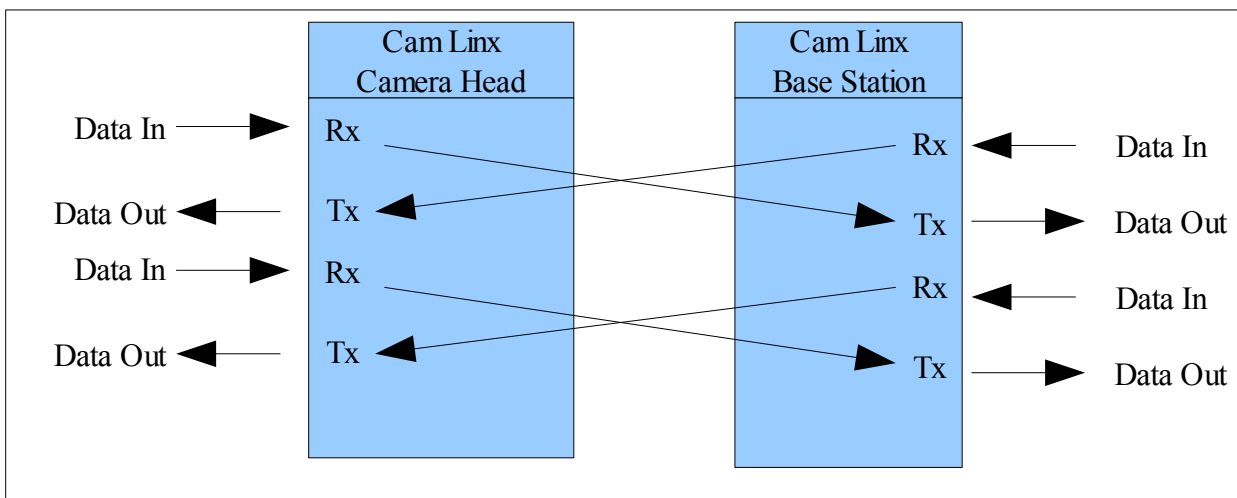
2.4.1 Overview

The Camlinx™ provides two identical full-duplex serial links. They can carry data at any data rate up to 500KBit/second, and can be switched to operate according to the RS232 or RS422 standards.

Connection is via a single 12 pin HiRose connector on the camera head (which contains pins for both links) and a 9-pin D-Type connector on the base station for each serial link. The base station connectors feature auxiliary 12-volt power pins. These are for powering equipment connected to the serial port, e.g. camera remote control units.

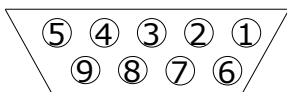
2.4.2 Tx and Rx

Pins named Rx are inputs into the camera head or base station, and Tx are outputs. This means external equipment should drive into the Rx pins and be driven from the Tx pins. Rx on the camera head drives Tx on the base station, and vice-versa.



2.4.3 Base Station

Looking into socket:

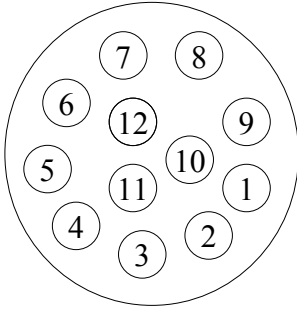


- 1: Aux supply 0V
- 2: TX+ (RS232 / RS422)
- 3: RX+ (RS232 / RS422)
- 4: Aux supply 12V
- 5: Data Ground
- 6: No connection
- 7: TX+ (RS422 only)
- 8: RX- (RS422 only)
- 9: No connection

The load on the 12V power supply must not exceed 100mA (1.2 Watts) for each socket

2.4.4 Camera Head

Looking into socket:



Towards tally socket

Serial A:

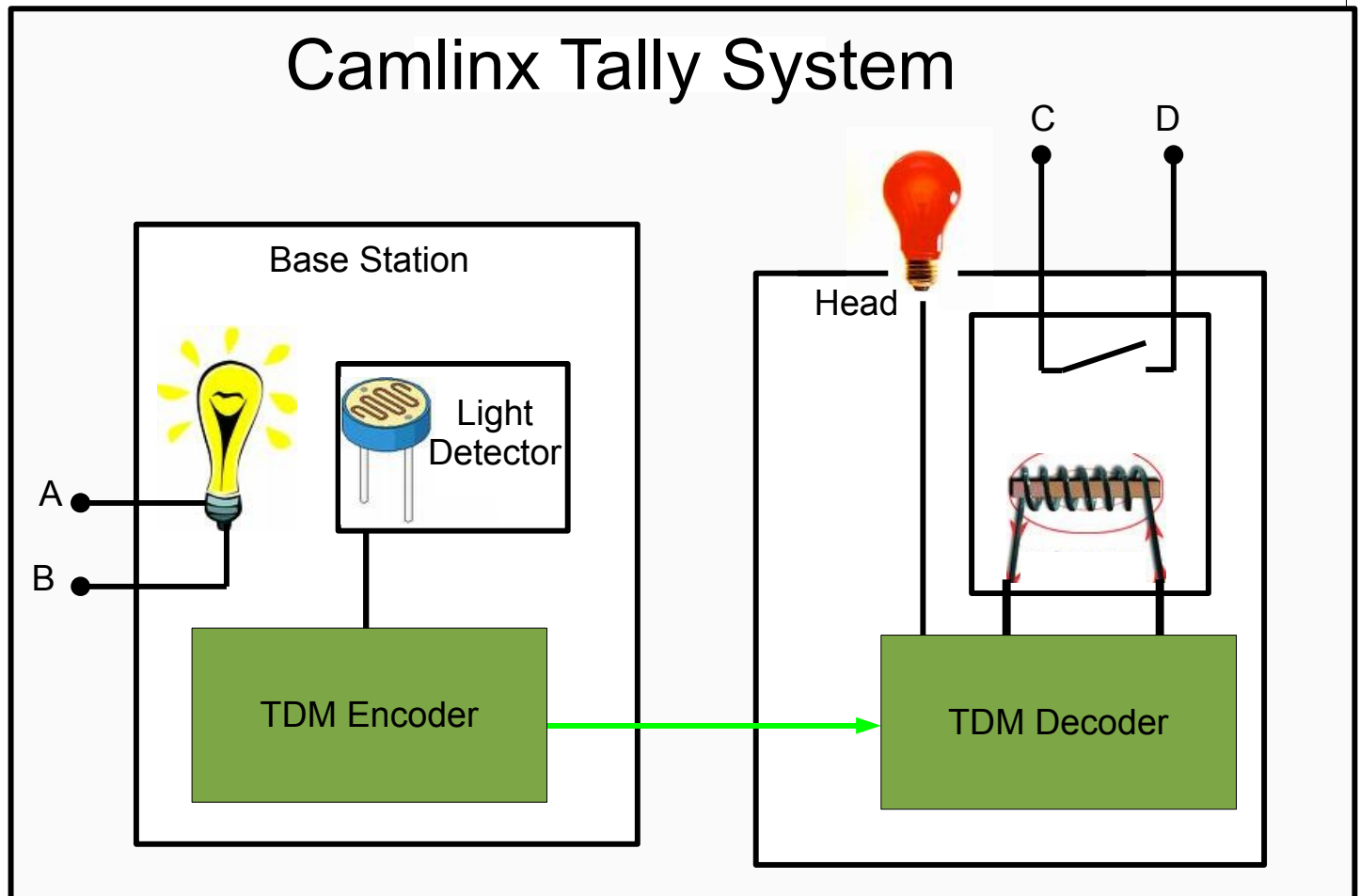
- 1: Rx+ (RS232/RS422)
- 2: Rx- (RS422 Only)
- 3: Gnd
- 4: Tx+ (RS232/RS422)
- 5: Tx- (RS422 Only)

Serial B:

- 7: Rx+ (RS232/RS422)
- 8: Rx- (RS422 Only)
- 9: Gnd
- 10: Tx+ (RS232/RS422)
- 11: Tx- (RS422 Only)

2.5 Tally

2.5.1 Overview



The tally system is used to provide an on-air indication at the camera head. The signal is activated at the base station. Such an activation is indicated at the head by means of:

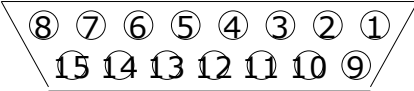
- 1) A built in tally light
- 2) A contact closure for triggering external equipment

Activation at the base station is achieved by passing current between pins A and B. This turns on a light inside the base station, which is detected in order to activate the system. The built in tally light will illuminate at the head, and the connection between C and D to be closed.

When the current passing between A and B stops then the built in tally light will extinguish, and the connection between C and D will be opened.


2.5.2 Base Station

The tally is activated via a 15-pin d-type socket on the rear of the base station. To trigger the tally apply a voltage of between 5 and 12V DC between pins 5 and 13⁴. A 5V supply is provided between pins 8 and 15 for convenience, but any supply can be used to trigger the tally.

Looking into socket: 	8: 5V 15: 0V 5: Opto-isolator pin A 13: Opto-isolator pin B
To trigger tally pass current between pins 5 and 13	

2.5.3 Head Wiring

The contact closure for the tally is accessed via a 6 pin HiRose connector on the camera head unit. A 5 volt power supply is provided for convenience.

Looking into socket: (Clip fitting is on outside of socket housing above pin 5, away from Co-ax). 	1: Relay pin C 2: Relay pin D 3: 0V 4: +5V 5 and 6: Not connected Pins 1 and 2 are connected while tally is triggered, otherwise they are open circuit.
---	--

2.5.4 Built In Tally Light

There is a built in tally light on the top of the camera head unit. It can be muted by pressing it downwards.

2.5.5 Tally Test

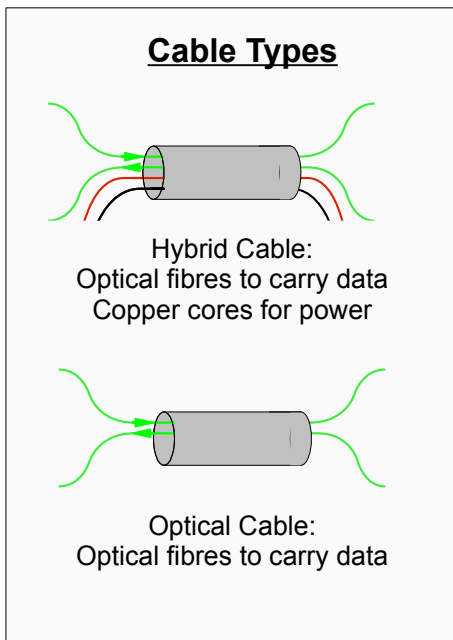
To test the tally contact closures and built in tally light, the "Tally Test/Call" function should be activated. It can be activated from either the base station or the camera head.

⁴ Polarity is not important, i.e. it doesn't matter which way round positive and negative are

3 Power system

3.1 Introduction

This section is concerned with the options for powering the Camlinx™ Head, and powering Cameras through the Camlinx™ Head.



There are two basic types of cable which can be used to connect the head to the base station:

1. Hybrid cable
2. Optical cable

There is a power supply in the base station which, when hybrid cable is used, can power the head, and provide 60 watts of power to a camera connected to the head.

In standard optical cable there are no copper cores, so the head must be powered by an alternative method. The PAG lock on the head allows a battery to be used.

The 12V in socket allows an external power supply to be used.

3.2 Using 48V power



The Camlinx™ power link operates at 48 volts DC. The power comes from 48 volt supply in the base station, and is converted down to 12 volts at the head. Up to 60 watts (5 Amps) can be supplied to a Camera, over a distance of up to

200 meters.

Base stations are optionally supplied with a redundant 48V power supply fitted. This is indicated by a label saying 'Dual supply fitted' on the front panel.

There are two lights on the front panel to show that the 48 volt supplies are on. Both will light up on units with a redundant supply fitted, and only one will illuminate otherwise.

A load meter is provided.

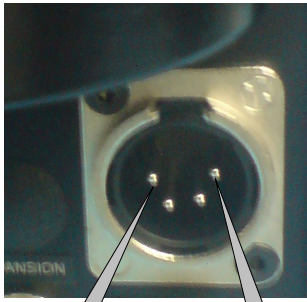
Light	Power
●	Illuminates at >88 Watts. Overload
●	Illuminates at >60 Watts
●	Illuminates at >30 Watts
●	Illuminates at >1 Watt

The head uses 8 Watts, and can provide 60 Watts to the camera. This gives a total of 68 Watts. Some power will also be lost in the cabling, so the base station can deliver up to 88 Watts of power.

3.3 Using local power

Local power can be provided by a battery, through the PAG clip on the back of the Camlinx™ Head, or it can be provided through the XLR connector.

The external power connector is a 4 pin male XLR.

	Pin	Function
	1	Ground
	2	
	3	
	4	+12 to +18 Volts DC

The Camlinx™ head will operate on any supply voltage from 9.7 Volts to 18 Volts DC. We recommend 12 Volts as a minimum because some cameras have problems operating at lower voltages.

Pin 1 is connected internally to the chassis.



Don't get caught out by Voltage Drop on 12V Cabling!

Users should be mindful of potential problems when attempting to carry power to camera over copper wires at 12 Volts, even over relatively short distances.

For example, a camera and viewfinder combination can consume over 50 Watts. This leads to a current of 4 Amps. Because the initial voltage is relatively low, the effect of voltage drop along the cable becomes very significant.

Typically losses for a given length of cable at 12V (as a proportion of the original voltage) will be equivalent to those of 19 times the length of the same cable at 230V. That is to say a 25M camera lead of a given core diameter will lose as much voltage (proportionally) as a 475M mains extension lead.

We therefore advise users to use the 48V link where possible. Otherwise it is important to calculate out losses in any 12V system, and not rely on intuition. Users should remember that cable losses are proportional to load, and therefore that a cable which delivers a perfect 12V before the load is applied may be providing a significantly lower voltage once things are switched on.

4 Fault finding

4.1 Ensuring good fibre connectivity

4.1.1 Introduction

It is of paramount importance that a good fibre optic link is established between the head and the base station. Fibre-optic related problems can cause loss of connectivity in either or both directions. Worst of all, fibre optic problems can cause intermittent errors across all of the interfaces.

The aim of this section is to explain how you can tell a good link from a bad one, and what you can do if you find link problems.

4.1.2 Things you need to know

Before we can look at how to check a link, it is important to understand what you are looking for.

Why do I get different Fibre Rx Levels on different links?

Lasers are used as the light sources in the Camlinx™ system. Lasers are inconsistent⁵, and differences between lasers are the main reason for different levels observed on the received power bar graph. The photo diodes used on the fibre optic input stage also have some inconsistency.

What Level should I look for?

The most important thing for a user to understand is that there is a little **more to it than just levels**, and it is not possible to gauge the quality of the link from the received fibre optic level alone.

There are two things which you need to look for when you are checking a link:

- Continuity problems
- Unexplained losses

Continuity problems are those which result in a total loss of signal. An unexplained loss is a reduction of signal strength not consistent with the length of the link and the number of interconnections.

So what kind of loss should I get?

Connector losses are low. The maximum for a Neutrik opticalcon Connector is 0.5dB. This means that in the worst case the signal level should halve for every 6 connectors. Cable losses are also low, typically 0.2-0.4 dB per km.

A typical installation will have no more than 200M of cabling, and 2 or 3 connectors per path. The total loss will then be just over 1dB in the worst case, usually less.

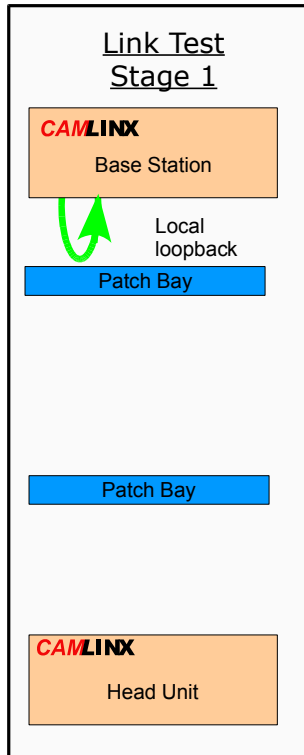
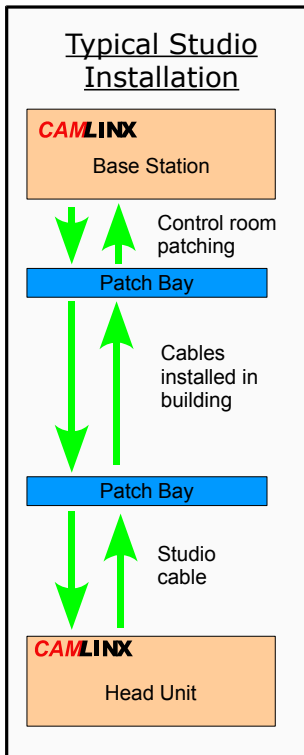
In terms of the Tx/Rx bar graphs, the worst loss we'd expect in any Camlinx™ installation would be one or two blocks.

4.1.3 Measuring Loss

In this example we will consider how to check a fibre link in a typical studio set up, but the techniques used can be applied in any environment – studio, ENG, OB, etc. In this

⁵ This is why we guarantee only a minimum level (-10dBmW), and not a typical output power.

set up the Camlinx™ base is connected to a patch panel. A long installed fibre runs from said patch panel through to a patch panel in the studio. A cable then connects the studio patch panel to the Camlinx™ head.



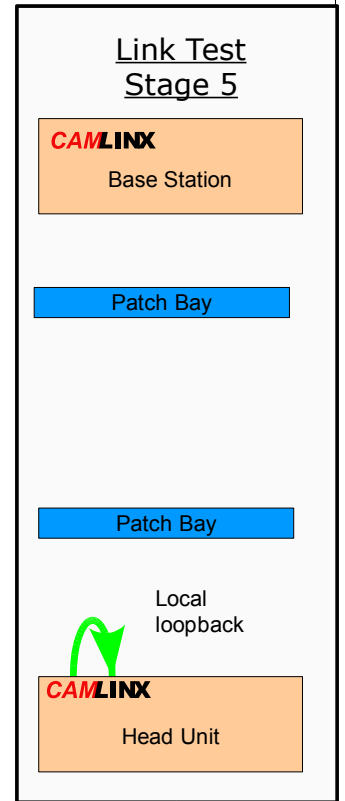
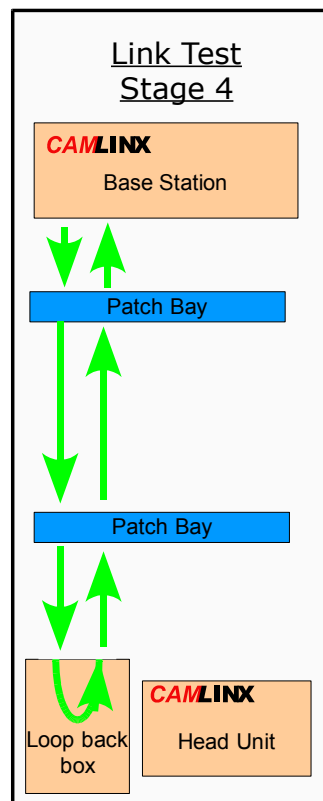
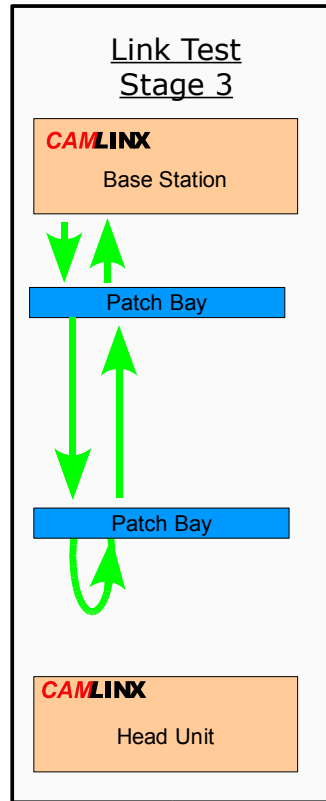
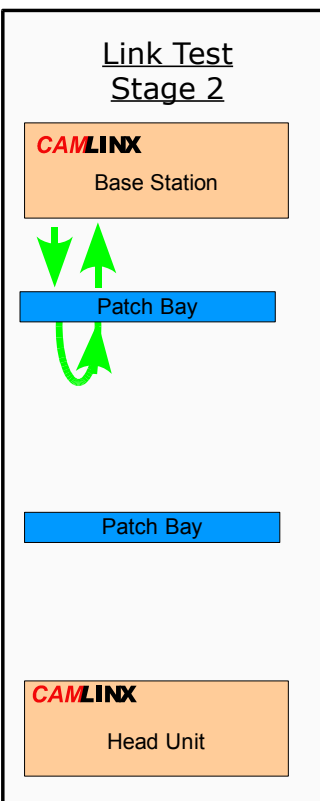
Traditionally fibre optic cables are tested with a light source and light meter. A Camlinx™ unit can act as both of these for you.

The first step of testing is to check that the Opticalcon® connector on the rear of the base station is clean.

A loop-back connector⁶ is connected to the rear of the base station. A Fibre Rx Level reading is then read from the LCD on the front of the unit.

The fibre RX level here should match that shown on the unit's factory test sheet (supplied with the unit). If it does not then the connector should be cleaned.

The next steps (2,3,4) are to check the link one leg at a time, isolating any problems that may occur. If you find losses there are three usual causes:



- 1) Broken fibre
- 2) Dirt
- 3) Badly seated connectors

⁶ Available from your distributor, or as part of the Camlinx service kit

The first can only be fixed by replacing the fibre. The second can be remedied cleaning tools, available in our service kit. The last is more likely with LC type connectors (used for installed fibre) than with Opticalcon®, and can often be fixed by removing and re-mating the connectors.

The last link in the chain is the connector on the head unit itself, and this can be checked in the same way as the connector on the base station was checked in step 1. As we are now using a another light source (that in the head rather than the base station), the fibre rx level may be different. It should be checked against the test sheet for the head.

4.2 Power system

The Camlinx 48 volt power system is designed to solve the problems encountered when using long cables to provide 12V power to Cameras. We recommend, therefore, that the 48V system is used wherever possible.

4.2.1 48 Volts system

The 48 volt system is designed to deliver 60 Watts (5 amps) at 12 volts. Attempting to draw more power than this will cause the unit to cut out.

If you have problems, first check that the 48V supply is on. Next check the power power meter.

- If no lights are on – the head isn't connected. There is continuity problem, check your cable and connectors.
- If only the bottom light is on – only the head is powered, check your equipment is switched on
- If all lights are on, including the red light at the top – the power supply is overloaded

An overloaded power supply can be a result of

- 1) A short circuit – check your cables and connectors
- 2) Too much equipment being plugged into the head
- 3) Inrush problems.

Inrush problems occur because some equipment uses vastly more power at the moment it is switched on than it does subsequently. If a number items are being powered by the Camlinx head, it may be possible to run them all if they are switched on in turn, rather than all at the same time.

4.2.2 12 Volts system

Be mindful of potential problems when attempting to carry power to camera over copper wires at 12 Volts, even over relatively short distances. See section 3.3 for more details.

4.2.3 Low Battery Warnings with 48V power

When operating on the 48Volt power system, the Camlinx head delivers about 12.9V through the PAG plate to the camera. This is enough to power all modern camcorders.

A Camera cannot tell the difference between a Camlinx and a battery. If the threshold for the low battery voltage warning on the Camera is set to above 12.9 Volts, then the low battery warning will appear when the Camlinx is used.

To get rid of this warning, the warning threshold should be changed. For more information on how to do this, contact your camera dealer or manufacturer.

It should be noted that camcorders work perfectly well while a low battery warning is being displayed, and that most cameras don't cut out until well below 11 volts. The Camlinx therefore has plenty of headroom.

4.3 Can I use the Camlinx™ with the existing Fibre at my site?

Not all optical fibres are the same. Camlinx uses 9 µm single mode fibre. To put this in context the diameter of human hair averages out at about 100 µm. This is the thinnest type of fibre commonly in use. The benefit of such a small diameter is good bandwidth performance.

Many buildings have multi mode fibre installed, which has a larger diameter (62.5µm). This is often used for Ethernet equipment. Single and multi-mode fibre are not compatible with one another. Other types of fibre commonly used are 50µm multi-mode, 85µm multi-mode, 200µm PCS (plastic clad silica) and plastic light pipe (used for consumer AV equipment). None of these are compatible with Camlinx.

The Camlinx requires a direct optical connection from base to head, and the signal will not pass through fibre optic switching equipment such as ethernet hubs, SMPTE video switches, etc.

The maximum fibre length for the Camlinx is 2000m. If a greater reach is required, please contact Volamp Ltd to discuss 15km and 80km options.

If your building has 9 µm single mode fibre installed, and the cable runs are less than 2km then you can use them with Camlinx.

4.4 Linking My Camera / Remote / Pan and Tilt / Intercom

Unfortunately we cannot provide free support to individual users for every type of equipment that they may ever wish to connect with a Camlinx. However, where we do have experience of interfacing to specific equipment, we will publish relevant details on our web site in the form of application notes. These are also available through your dealer, who will be happy to help with any interfacing problems you have.